

LK-502Manual v2.1

Instructions for use

- Decorative frame light effect
 - Running Form: The lights circulate around the coin acceptor;
 - Flashing Form: Red, blue and purple light change cyclic;
 - Breathing Form: The light showing as the gradual process of breathing.
- Remarks: There are three colors of light: red, blue, purple.
- Switching of lighting effects
 - In standby mode, three kinds of lighting effects are demonstrated in a loop;
 - When receiving coins, the lighting effect enters the acceleration mode (accelerating time is 8 seconds), and the standby state will be restored after acceleration;
- The sequence of lighting effect switching is
Running → Flashing → Breathing



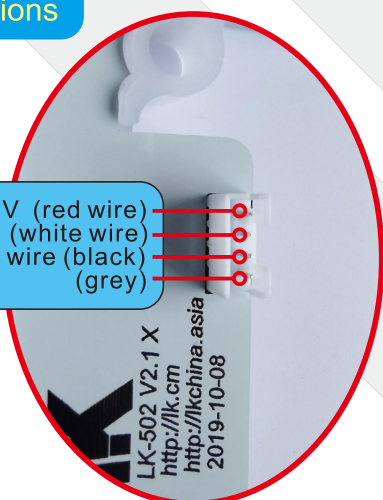
Package informat

Weight of Carton (kg)	13.5
Size of Carton (cm)	58*38*29
Package	180 PCS /CTN



Wiring instructions

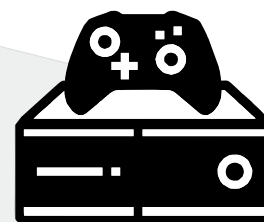
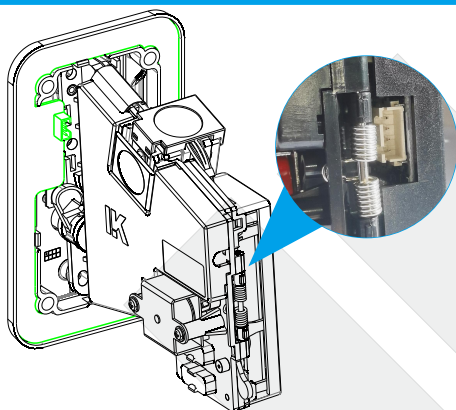
- Power wire 12V (red wire)
- Signal input (white wire)
- Power ground wire (black)
- counter (grey)



LK-502 V2.1 X
http://lk.cn
http://lkchina.asia
2019-10-08

Installation Information

Note: the installation direction of the light board



Machine equipment



If product technology improved, it will be edited in the new manual without notice. The ultimate interpretation of this manual is up to Guangzhou Likang Electronic Technology Co.,Ltd.